

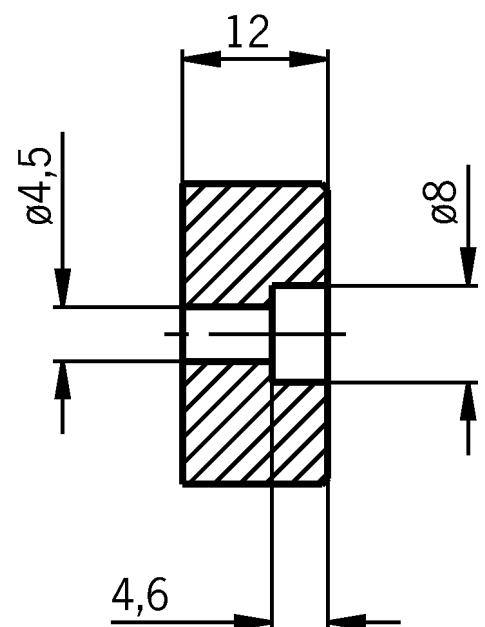
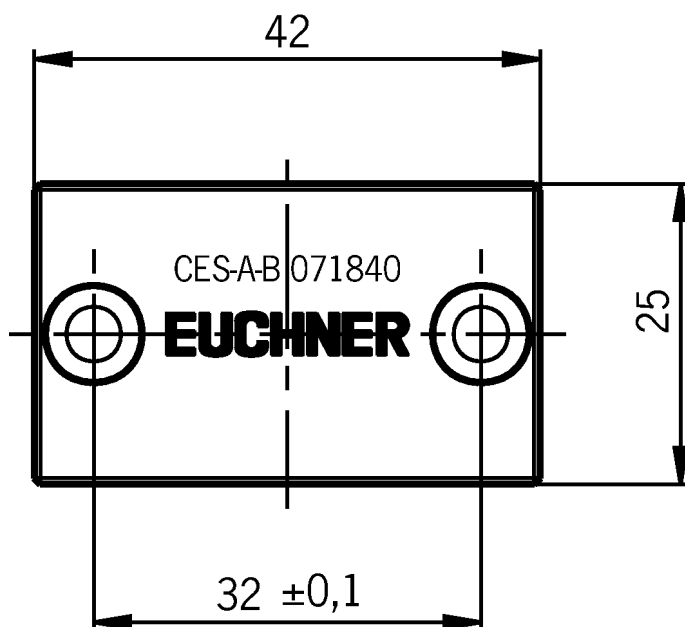
CES-A-BBA-071840 (Order no. 071840)

Actuator CES-A-BBA

- ▶ Cube-shaped design 42 x 25 mm
- ▶ Two safety screws M4x14 included



Dimensional drawings



Technical data

Approvals



Workspace

Actuator distance s

Minimum distance for side approach direction	min. 4 mm
--	-----------

Switch-on distance

with center offset $m=0$	18 mm
(These values apply to surface installation of the actuator on metal.)	

Secured switch-off distance s_{ar}

with center offset $m=0$	max. 45 mm
(These values apply to surface installation of the actuator on metal.)	

Secured switching distance s_{ao}

with center offset $m=0$	min. 15 mm
(These values apply to surface installation of the actuator on metal.)	

Switching hysteresis

with center offset $m=0$	1 ... 3 mm
(These values apply to surface installation of the actuator on metal.)	

Electrical connection values

Power supply	Inductive via read head
--------------	-------------------------

Mechanical values and environment

Tightening torque

Fixing screws	max. 1 Nm
---------------	-----------

Degree of protection	IP65/IP67/IP69/IP69K
----------------------	----------------------

Ambient temperature	-25 ... +70 °C
---------------------	----------------

Material

Housing	Plastic (PPS)
---------	---------------

Components included in the set

Included accessories

2x safety screws M4x14

Downloads

All documentation for this material can be found on our website:

<https://www.euchner.de/en-us/a/071840/?#downloads-tab>

Ordering data

Ordernumber	071840
Item designation	CES-A-BBA-071840
Gross weight	0,023kg
European Article Number (EAN)	4047048000223
Customs tariff number	85389099990
ECLASS	27-27-24-04 Actuator for safety-related proximity switch

Accessories

Mounting accessories

Safety screws M4 x 14

071863

M4X14-NIRO/V20

- ▶ Safety screws M4 x 14
- ▶ Packaging unit 20 pieces